

## 250 mW, Glass, TC (Case DO-7)

JEDEC TYPE NUMBER	ZENER VOLTAGE $V_Z$ VOLTS		TEST CURRENT $I_{ZT}$ mA	MAXIMUM ZENER IMPEDANCE $Z_{ZT}$ @ $I_{ZT}$ Ohms	VOLTAGE TEMPERATURE STABILITY $\Delta V_{ZT}$ Max. mV	TEMPERATURE RANGE °C	EFFECTIVE TEMPERATURE COEFFICIENT %/°C
	Min.	Max.					
1N821	5.9	6.5	7.5	15	96	-55 to +100	.01
1N821A	5.9	6.5	7.5	10	96	-55 to +100	.01
1N823	5.9	6.5	7.5	15	48	-55 to +100	.005
1N823A	5.9	6.5	7.5	10	48	-55 to +100	.005
1N825	5.9	6.5	7.5	15	19	-55 to +100	.002
1N825A	5.9	6.5	7.5	10	19	-55 to +100	.002
1N826	6.2	6.9	7.5	15	20	-55 to +100	.002
1N827	5.9	6.5	7.5	15	9	-55 to +100	.001
1N827A	5.9	6.5	7.5	10	9	-55 to +100	.001
1N828	6.2	6.9	7.5	15	10	-55 to +100	.001
1N829	5.9	6.5	7.5	15	5	-55 to +100	.0005
1N829A	5.9	6.5	7.5	10	5	-55 to +100	.0005
1N3496	5.9	6.5	7.5	15	23	0 to + 75	.005
1N3497	5.9	6.5	7.5	15	9	0 to + 75	.002
1N3498	5.9	6.5	7.5	15	5	0 to + 75	.001
1N3499	5.9	6.5	7.5	15	2	0 to + 75	.0005
1N3500	5.9	6.5	7.5	15	47	0 to + 75	.01

Polarity - Banded End Positive

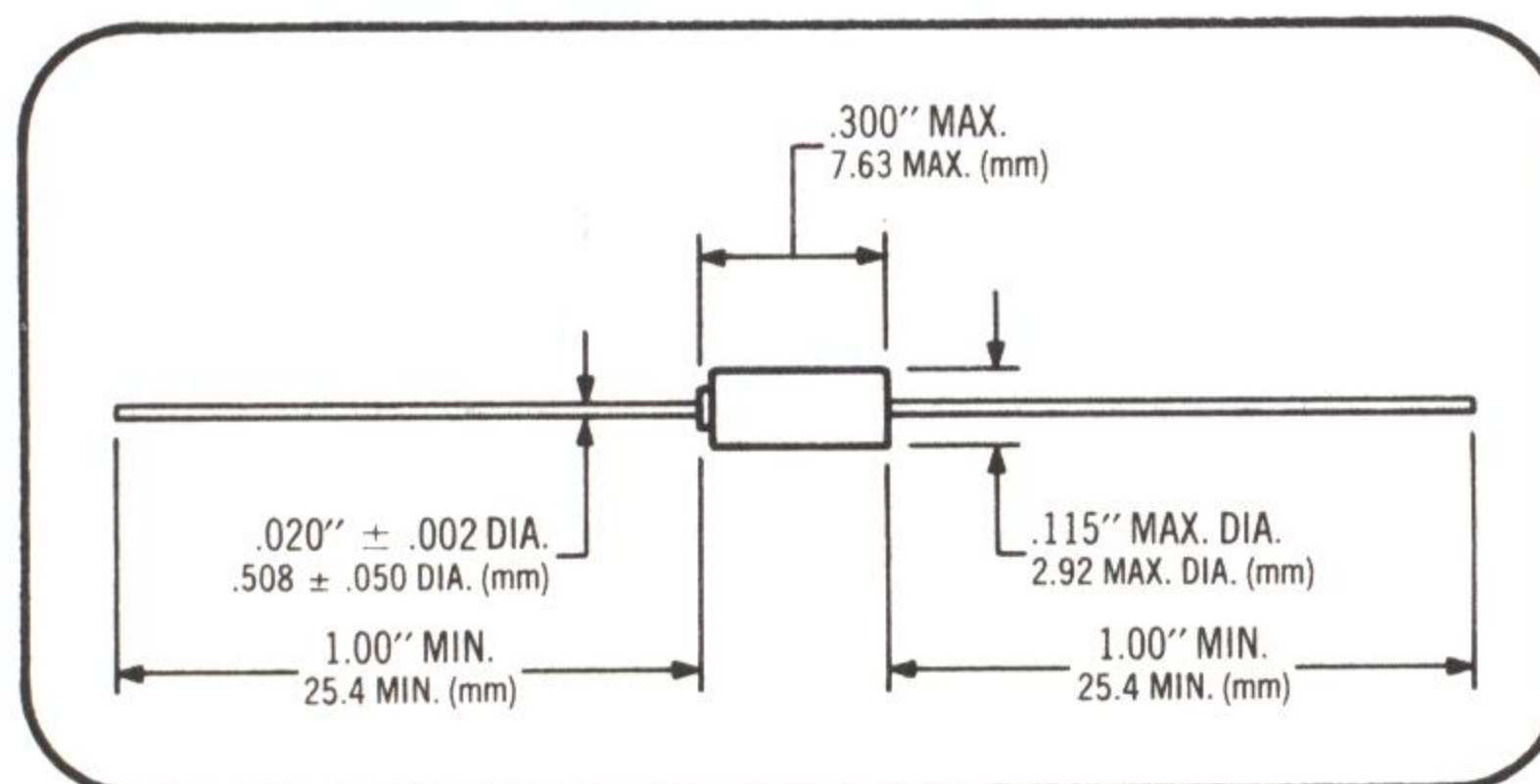
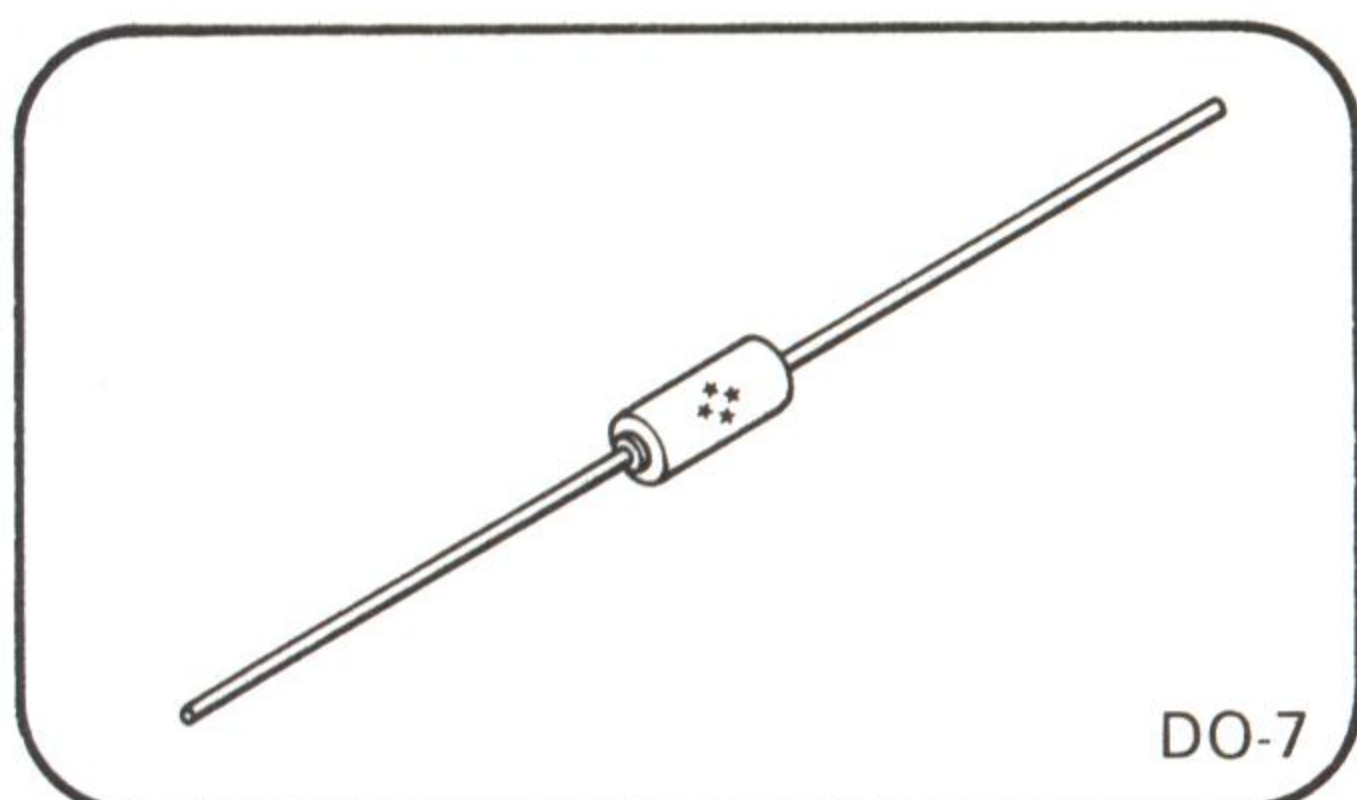
Available in JAN and JANTXV per MIL-S-19500/159

## 250 mW, Glass, TC (Case DO-7)

JEDEC TYPE NUMBER	NOMINAL ZENER VOLTAGE $V_Z$ † VOLTS	TEST CURRENT $I_{ZT}$ mA	MAXIMUM ZENER IMPEDANCE $Z_{ZT}$ @ $I_{ZT}$ Ohms	VOLTAGE TEMPERATURE STABILITY $\Delta V_{ZT}$ Max. mV	TEMPERATURE RANGE °C	EFFECTIVE TEMPERATURE COEFFICIENT %/°C
1N4765A	9.1	0.5	350	141	-55 to +100	0.01
1N4766	9.1	0.5	350	34	0 to + 75	0.005
1N4766A	9.1	0.5	350	70	-55 to +100	0.005
1N4767	9.1	0.5	350	14	0 to + 75	0.002
1N4767A	9.1	0.5	350	28	-55 to +100	0.002
1N4768	9.1	0.5	350	7	0 to + 75	0.001
1N4768A	9.1	0.5	350	14	-55 to +100	0.001
1N4769	9.1	0.5	350	3	0 to + 75	0.0005
1N4769A	9.1	0.5	350	7	-55 to +100	0.0005
1N4770	9.1	1.0	200	68	0 to + 75	0.01
1N4770A	9.1	1.0	200	141	-55 to +100	0.01
1N4771	9.1	1.0	200	34	0 to + 75	0.005
1N4771A	9.1	1.0	200	70	-55 to +100	0.005
1N4772	9.1	1.0	200	14	0 to + 75	0.002
1N4772A	9.1	1.0	200	28	-55 to +100	0.002
1N4773	9.1	1.0	200	7	0 to + 75	0.001
1N4773A	9.1	1.0	200	14	-55 to +100	0.001
1N4774	9.1	1.0	200	3	0 to + 75	0.0005
1N4774A	9.1	1.0	200	7	-55 to +100	0.0005

†  $V_Z = \pm 5\%$

Polarity - Banded End Positive



3  
TEMPERATURE  
COMPENSATED DIODES